

FRUITION®

Garden Citrus Gall Wasp Trap

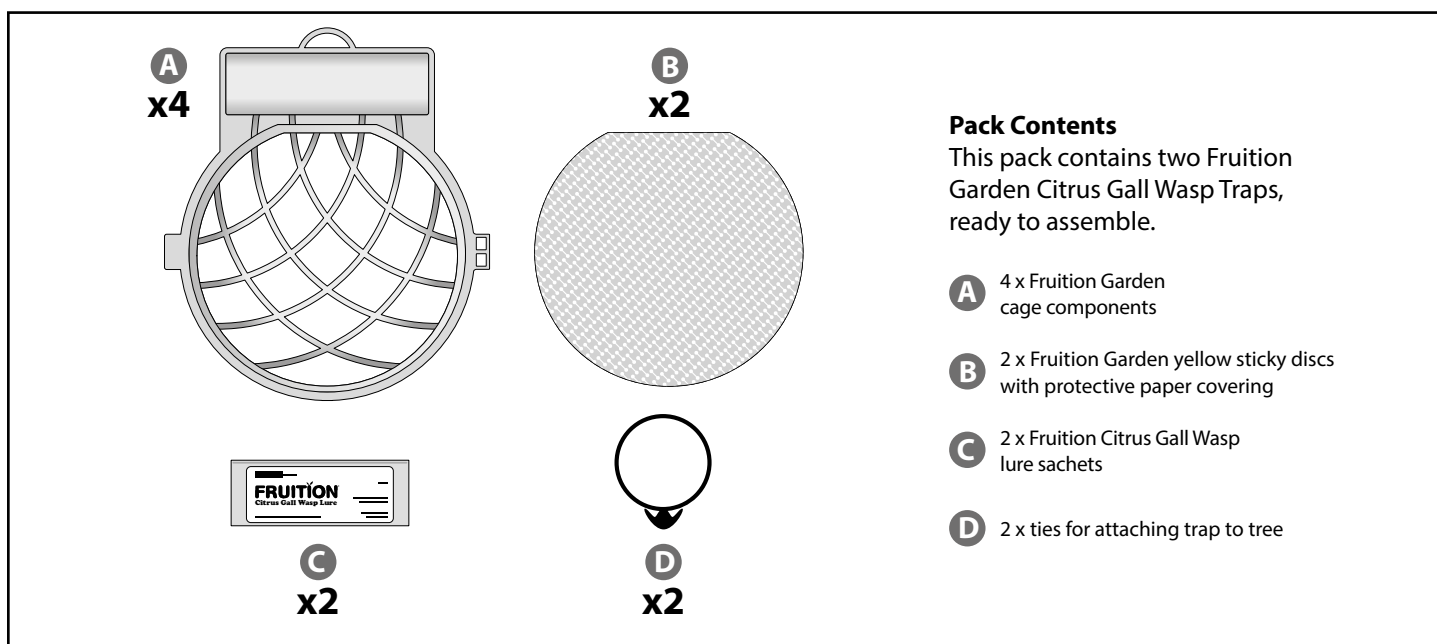
Directions for Use

Fruition® Garden Citrus Gall Wasp Traps are specifically designed to attract and trap citrus gall wasps in the home garden using a unique combination of trap shape and colour, and attractant lure.

The patented lure system is designed to attract adult citrus gall wasps to the trap, thereby reducing the numbers in the garden that can cause future damage. The lure is particularly effective against gravid female wasps, the eggs of which cause debilitating galling and loss of production in citrus.

The Fruition Garden Citrus Gall Wasp lure is based on natural citrus extracts, and is in a protective cage that is made from recycled materials and is recyclable.

Use Fruition Garden Citrus Gall Wasp Traps as part of an integrated citrus tree management program that commences with regular early monitoring so that wasps are identified as soon as they emerge, and which includes other techniques such as the removal of galls by targeted pruning prior to wasp emergence. Bury pruned galls below at least 50 cm of soil or freeze for 24 hours before placing them in green waste.



Use Recommendations:

1. Fruition Garden Citrus Gall Wasp Traps are effective for approximately 6 weeks.
2. Fruition Garden Citrus Gall Wasp Traps should be deployed before adults begin to emerge from galls. The adult wasp emerges from the woody gall in late spring or early summer, with emergence triggered by temperature. Emergence will be earlier under warmer conditions. Once the wasp has emerged, it has only 5 to 7 days to mate and then lay up to 100 eggs under the green bark of a citrus tree.
3. Use one trap per tree for trees up to 3 metres in height and two traps per tree for larger trees. Traps should be positioned just inside the canopy.
4. Place the trap(s) in the area of the tree with the heaviest galling. For trees greater than 3 metres in height, hang a second trap in a separate part of the canopy but next to galls.
5. Replace the trap if the disc becomes densely covered in insects or the lure sachet has been open for more than 6 weeks.
6. Avoid contact with the adhesive surface of the disc. The adhesive is non-toxic and can be removed from skin using vegetable oil.
7. Disassemble used traps at the end of the season. The plastic cage can be added to the domestic recycling bin, while the remaining components should be wrapped in newspaper/paper towel and placed in the domestic general waste bin.

SAFETY DIRECTIONS: Lure contains an irritant. Avoid contact with eyes. Avoid contact with skin. Avoid breathing fumes. Use only in a well-ventilated area.

FIRST AID: For advice, contact a Poisons Information Centre (phone Australia 13 11 26; New Zealand 0800 764 766) or a doctor (at once). If in eyes wash out immediately with water. If skin or hair contact occurs, remove contaminated clothing and flush skin and hair with running water.

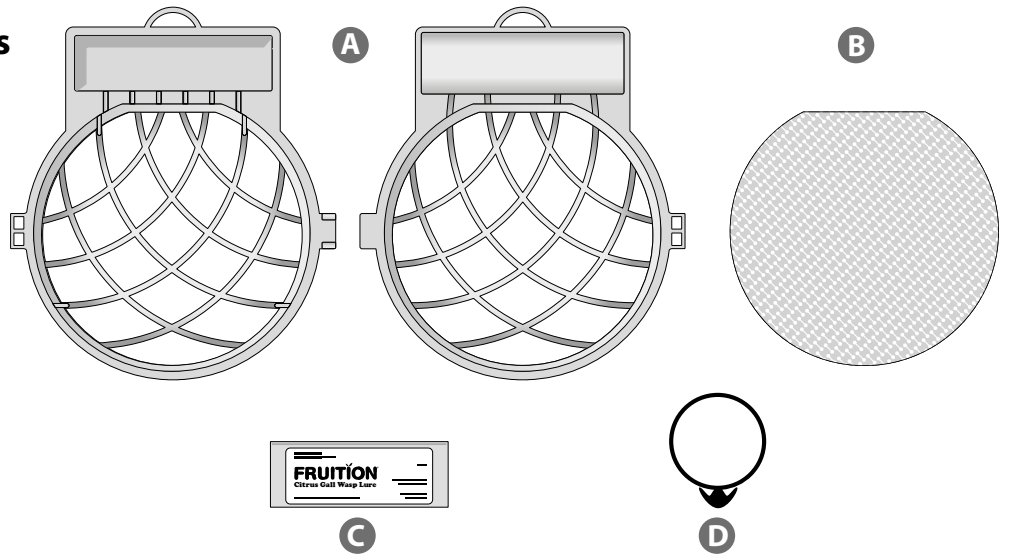
FRUITION®

Garden Citrus Gall Wasp Trap

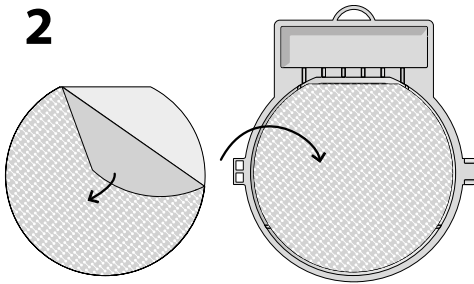
Trap Assembly Instructions

1 Lay out the components for assembling one trap on a stable flat surface

- A** 2 x Fruition Garden cage components
- B** 1 x Fruition Garden yellow sticky disc with protective paper covering
- C** 1 x Fruition Citrus Gall Wasp lure sachet
- D** 1 x tie for attaching trap to tree

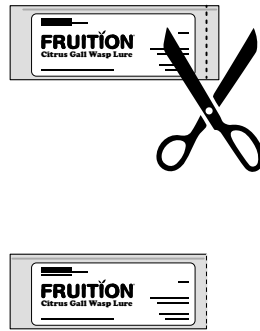


2



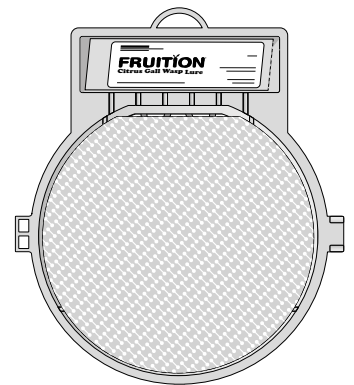
Peel the protective paper layer off one side of the disc then place the disc, **sticky side down**, into one half of the trap cage applying gentle pressure to ensure that the disc is resting on the supporting lugs on the sides of the trap cage (gloves can be useful to avoid getting adhesive on fingers).

3



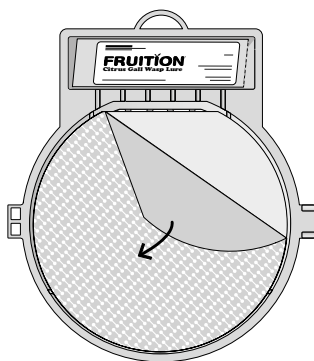
It is recommended to wear gloves when handling the lure sachet. Use a pair of scissors to cut off the end of the Fruition Citrus Gall Wasp lure sachet, as shown. Wash scissors after use.

4



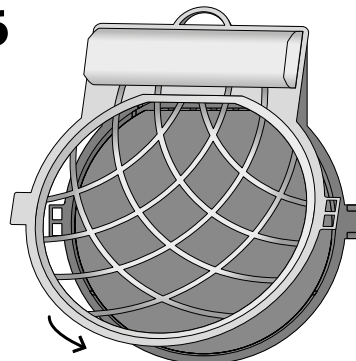
Place the sachet in the chamber at the top of the trap cage.

5



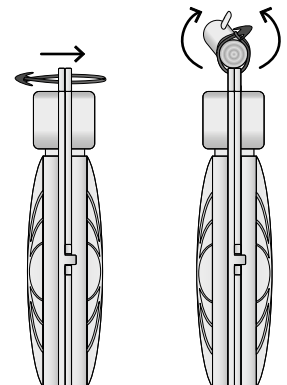
Peel the protective paper off the other side of the yellow disc.
 Avoid contact with the adhesive surface of the disc.
 The adhesive on the disc is non-toxic.
 Application of vegetable oil to any surface which has picked up any adhesive (e.g. gloves, scissors, etc.) will remove the sticky deposit.

6



Place one half of the trap cage over the other half and push down to snap shut.

7



Use the tie provided to attach the trap securely to a branch in the tree to be protected.